



Thomas Alva Edison

11.02.1847 – 18.10.1931
America's greatest inventor, businessman...

SCROLL TO EXPLORE LIFE



Edison's Light Bulb

Historians agree that Thomas Edison was not the inventor of the electric light bulb, but he did produce the first commercially viable one...



Franklin Medal

In 1915, was awarded Franklin Medal of The Franklin Institute for discoveries contributing to the foundation of industries and the well-being of the human race...



"Thomas Edison's last words were *"It's very beautiful over there"*. I don't know where there is, but I believe it's somewhere, and I hope it's beautiful."

— John Green, Looking for Alaska

microsite

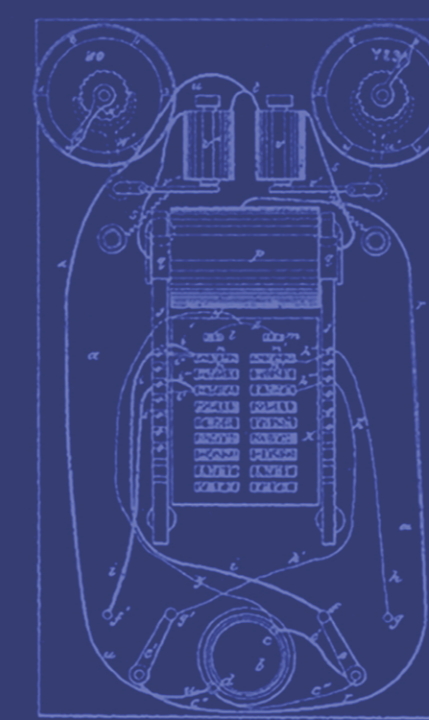
inventions & projects



Thomas Edison's Inventions have made profound impacts on society. So many of Thomas Edison's inventions are held in such high regard that he is considered the greatest inventor of all time. Following are just a few of Thomas Edison's inventions as well as Thomas Edison's patents that he submitted to the patent office.

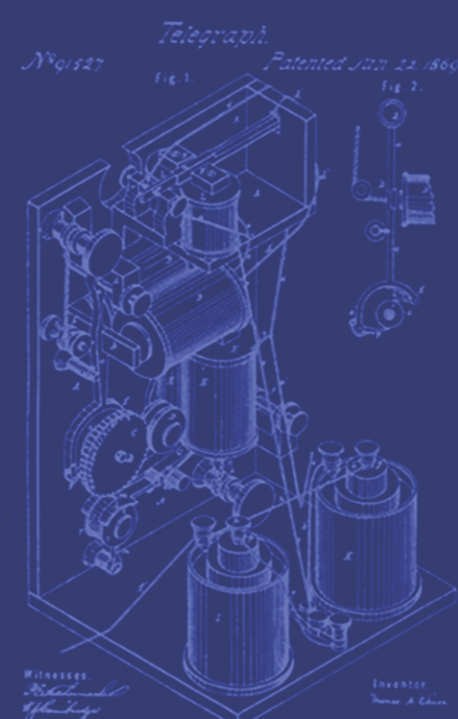
1 the electrographic vote recorder

As Edison's first patent, this device permitted voters to push a 'yes' or 'no' switch instead of writing their vote.



2 automatic telegraph

In an effort to improve the telegraph, Edison created another, based on his perforated pen, that required no one to tap out the message at the receiving end. This new technology increased words transmitted per minute from 25-40 to as many as 1,000. Edison also eventually produced a 'speaking telegraph.'



3 electric pen

